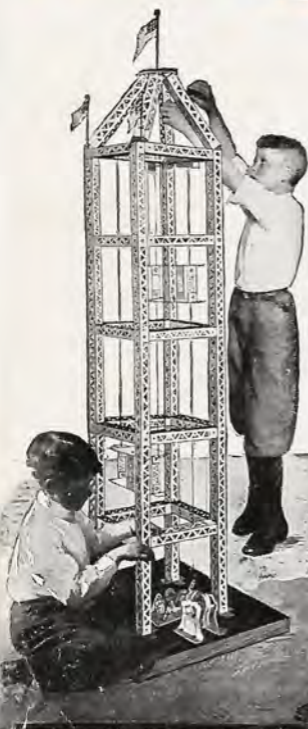


Hello Boys!

Make
Lots
of
Toys



The  *Mysto*
ERECTOR

Hello
Boys

The  *Mysto*
ERECTOR

Make
lots of
Toys

You Boys Have Helped Me to Make a Wonderful Success

BY ALFRED C. GILBERT

I know what boys like, because I have been a boy myself. I predicted last year that thousands of boys would enjoy playing with the Mysto Erector, because it was just what the boys like to handle and work with. I am not a prophet nor the son of a prophet, but my predictions came true most wonderfully.

1914 Prediction. I am now predicting that there will be five times as many boys playing with the Erector this season than were last.

Would You Like to Know About My School Athletics?

Maybe a little story of some of the things I have done in College would interest you boys.

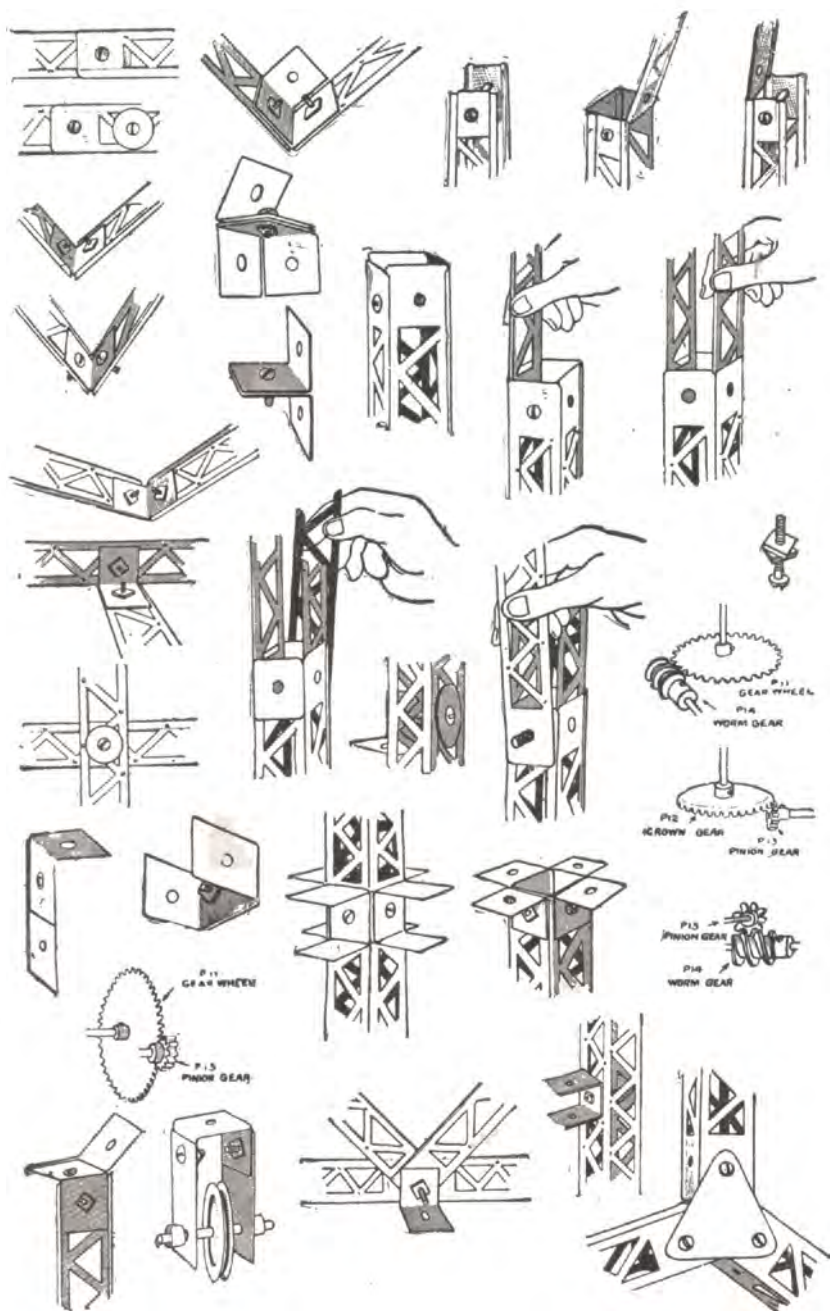
Yale.—All through my college course from 1906 to 1910 I was interested in athletics. I was victor in a great many different events in college gymnastics. During these four years I won over 160 different medals, mostly gold and silver; and over 100 trophy cups. Some are worth \$100 apiece—all beautifully engraved, telling the history of the event.

Pole Vaulting; Olympic Games, London, England, 1908.—In this year I went to London to compete in the Olympic vaulting contests. On the last day of the games I was awarded a medal by Queen Alexandra, attended by King Edward, as world's champion in pole vaulting.

Hello Boys

The *Mysto* ERECTOR

Make lots of Toys



STANDARD DETAILS OF CONSTRUCTION

**Hello
Boys**



**Make
lots of
Toys**

Other Pole Vaultings.—In two Yale-Harvard meets I was also champion, besides winning the intercollegiate meet and twice breaking the world's record. I have a record of over 13 feet.

Wrestling.—Outside of college events I was victor in 34 out of 36 wrestling bouts and have never been thrown. The other two out of the 36 were draws. Boys, you'd hardly think to look at me that I am a wrestler or an athlete at all but I have had pretty good success in heading the lists in different athletic events.

Sleight of Hand.—I have been told that audiences are only too glad to fill any opera house where I may exhibit my dexterity in sleight of hand performances. My catalog of magic tricks and puzzles is free if you would like to have it, showing hundreds of the different sleight of hand performances and magical mystical illusions that I have performed.

Now, You See Why I Know What Boys Like

You see, I have lots of regard for boys and know what pleases them, because I like sports and games myself. I made the Mysto Erector different from every other toy in the world because I knew it would tickle boys to build steel structures out of the real stuff.

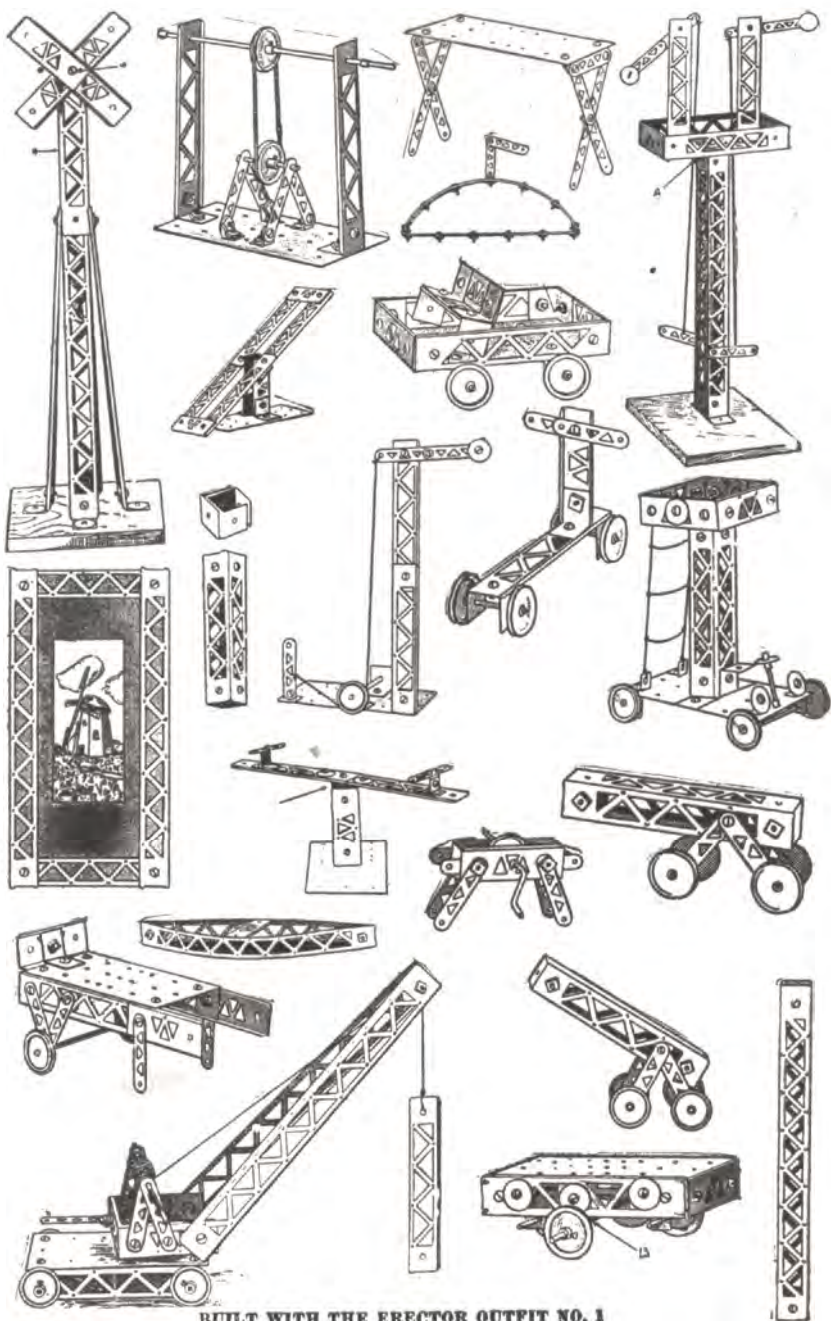
Real Steel Girders

On page 5, I show a 12" girder which is 1" square. This girder represents those used by mechanical engineers in building bridges, steel buildings, all the great mechanical apparatus used in constructing such undertakings as the Panama Canal, the building of gigantic dams and reservoirs, elevated railroads, etc.

Hello
Boys

The  *Mysto*
ERECTOR

Make
lots of
Toys



BUILT WITH THE ERECTOR OUTFIT NO. 1

**Hello
Boys**



**Make
lots of
Toys**

Where the Fun Comes In

Now, Boys, there is lots of fun in putting the Mysto Erector together because when you get through, your structure is handsome, stiff and strong and excites the admiration of everybody who looks at it.

Manual of Instructions

This book contains instructions for building over 300 models. Some are a few inches high, others are as large as 19 feet long while still others are 9 feet tall.

Cuts on following pages.—We have selected from this manual a few of the cuts which show you the wonderful possibilities and adaptability of the Mysto Erector. These models begin at the front part of the manual with the very simplest ones and show you how to put the girders, angles, wheels, bolts, nuts and all the other pieces together, so that you will have no disappointment in constructing the models.

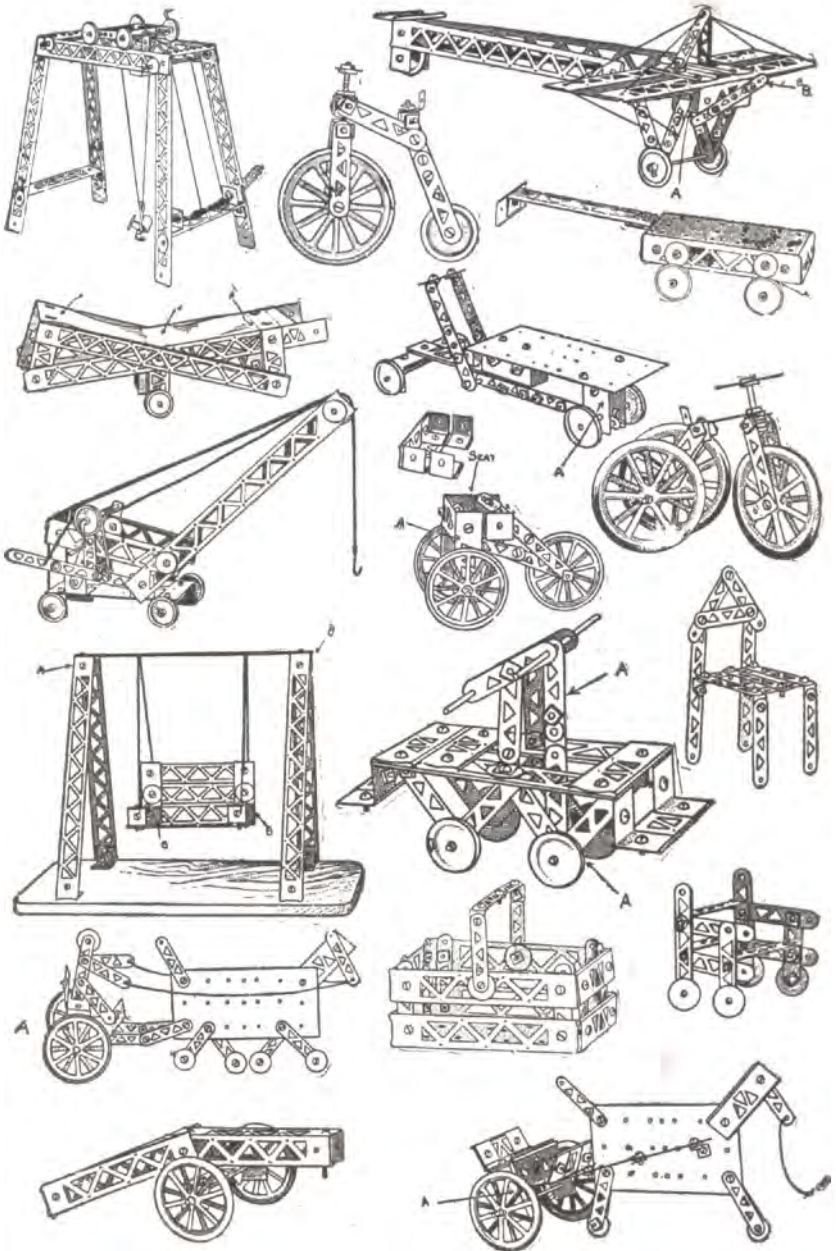
Points to Remember About this Remarkable Toy

1st. 33 to 140% More Parts.—I have intentionally been very generous in making up the Erector, because I know that boys like a lot of parts to play with. You get in my sets, from 33 to 140% more pieces than in any other steel building toy. That is, you get more for your money. This counts up, because you build big models and more of them for the same money.

Hello
Boys

The *Mysto*
ERECTOR

Make
lots of
Toys



BUILT WITH THE ERECTOR OUTFIT NO. 2

**Hello
Boys**



**Make
lots of
Toys**

2nd. The Girders.—Remember that the Mysto Erector Girders look just like the real steel construction of derricks, bridges, cranes, etc. No other model building toy can make these girders. These are characteristic of the Erector alone.

Our Girders are Very Handsome; Made of Gun Metal Steel

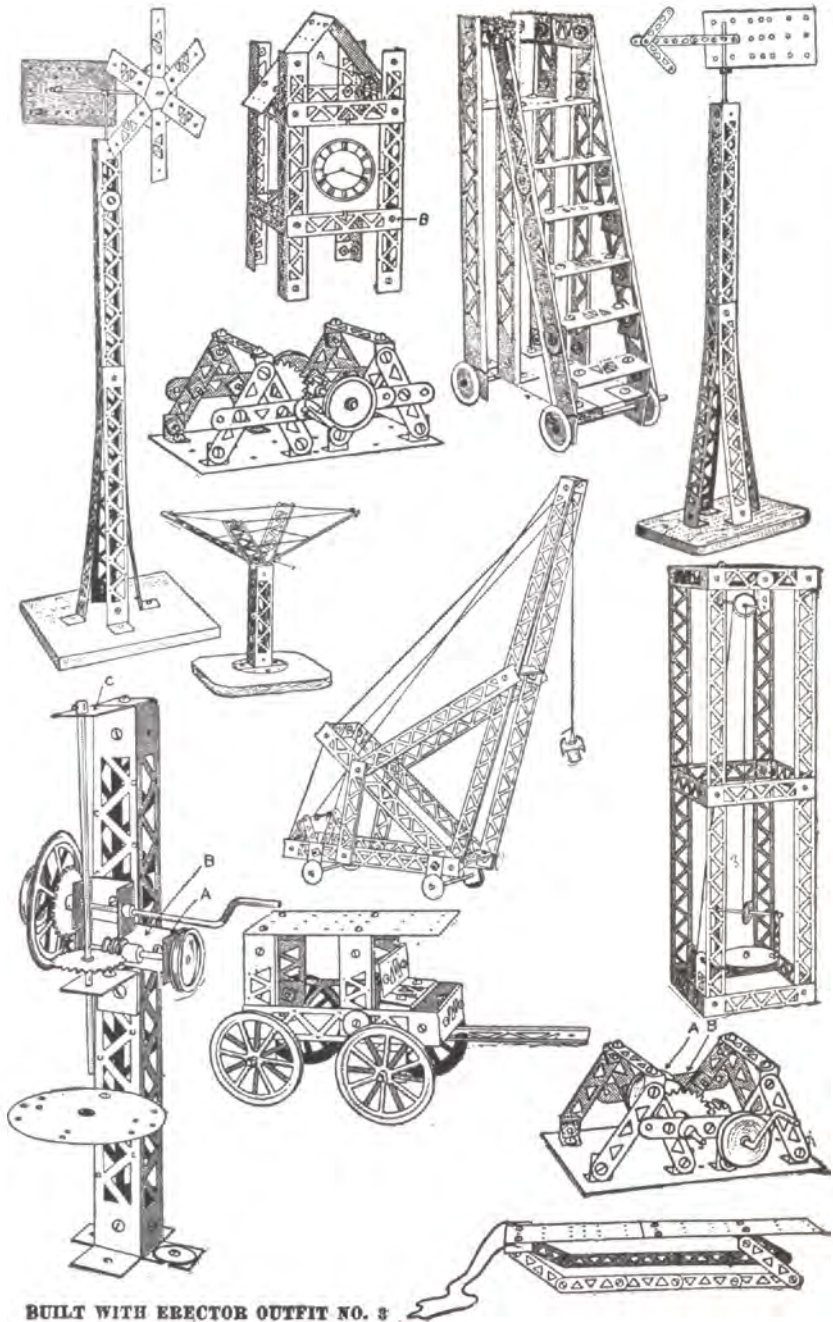
The sheen and polish of this steel gives it an exceptionally beautiful appearance. It is not dull, and lifeless like much of the steel you see. In order to insure its brilliancy, we cover it with a heavy skin of lacquer, which prevents its rusting for a good while from the effects of the perspiration from the hands.

3rd. Embossed Rivets and Channel and Turned-Over Edges on the Girders.—The rivet heads make the girders almost exactly the same as steel construction, because the short, flat, lattice braces in the real construction are bolted with red hot rivets to the uprights. The greatest discovery, however, in the Mysto Erector is the wide channel in the girders combined with the turned-over, snug-fitting edges. This enables you to slide one girder into another without the use of a connecting angle. Therefore, you can build a girder 5 feet long, for instance, with but 4 long bolts and this girder will be so strong that you can build a bridge 19 feet long and so braced with these girders, that a boy weighing 80 lbs. can safely sit in the middle. If you have ever built with other kinds—the flat strip construction toy for instance, you know it is impossible to get a tight joint with one bolt and nut. It is very likely to fold up on you like a jack-knife; but

Hello
Boys

The *Mysto*
ERECTOR

Make
lots of
Toys



BUILT WITH ERECTOR OUTFIT NO. 3

**Hello
Boys**



**Make
lots of
Toys**

with the Mysto Erector you can make an absolutely stiff joint with but one bolt and one nut. The girder is stiff, strong, and compact. It will not wobble, get shaky or become rickety.

We show you on page 3, how the Mysto Erector Girder is put together.

Easier to Build With.—The Mysto Erector is the simplest, quickest, and easiest construction toy to handle. It uses such a few bolts and builds up so fast, that you can build very large structures quickly. When you have finished playing with them, they come down in one-tenth of the time it took you to build them up. This is a great feature; instead of having to take out dozens of bolts and screws, you take out about one-tenth of the number, when you use the Erector. Your parts are all ready to reconstruct new models when you are through with an old one. What's the use of having to work as much to take it down as you would to put it up?

Axles and Shafts are Standard With Other Construction Toys

If you own other construction toys, our wheels and shafts will fit them. Our wheels will also fit onto their shafts, so that when you buy the Erector, you do not have to lay away your other construction toys, for it will work with them in combination.

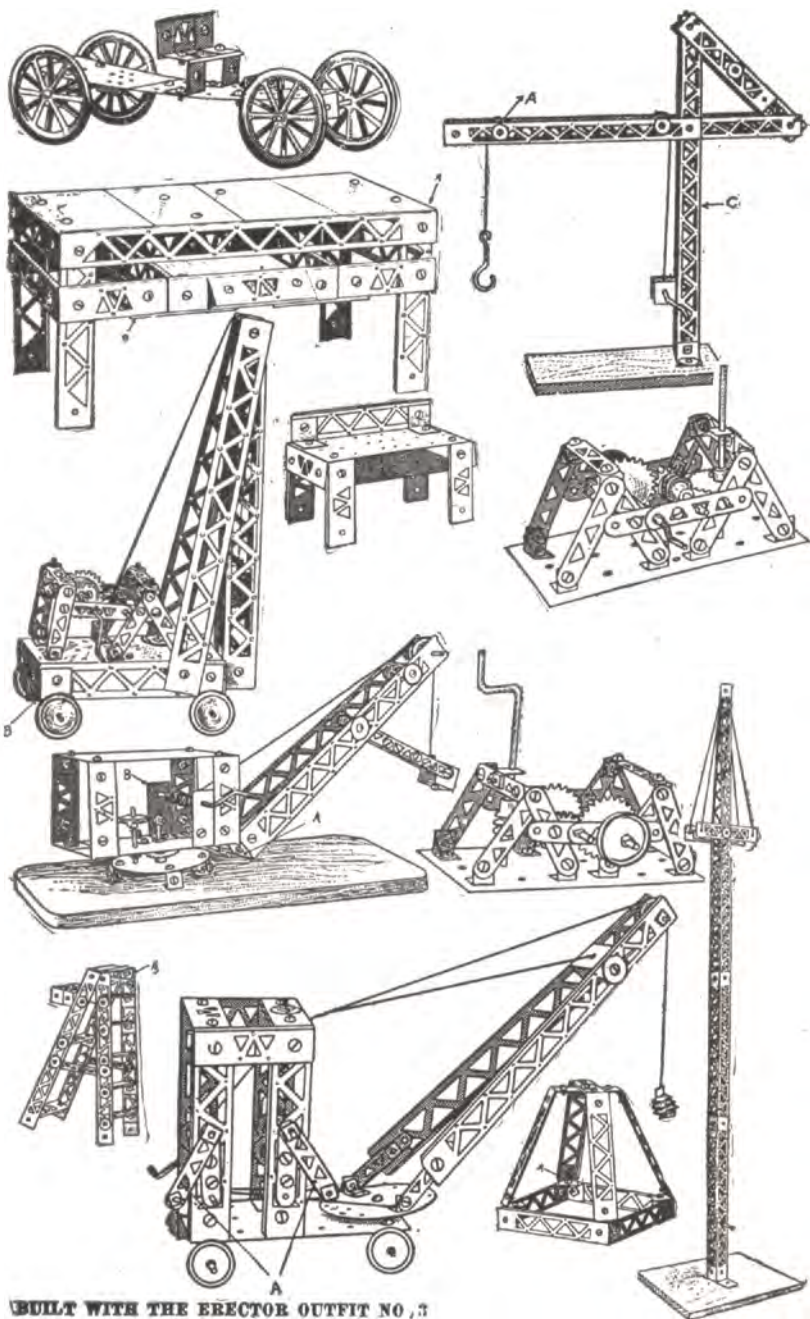
The Mysto Electric Motor

We show on page 13 the new Mysto Erector Motor, which comes with the sets beginning with 3A and 4. This motor is ready to run. It is built from models of motors that you see under street cars, in factories, etc. Use it with dry

Hello
Boys

The *Mysto*
ERECTOR

Make
lots of
Toys



BUILT WITH THE ERECTOR OUTFIT NO. 3

**Hello
Boys**



**Make
lots of
Toys**

cells, storage battery or transformer. It is a very lively affair and requires about half the current of other motors of the same power. It is very economical of your battery and will raise about 12 ozs. on a straight lift with a pulley. For instance it will lift and drop, with one battery, the cars in the 4-foot elevator shown on page 15 of this booklet. It can be used with a transformer or rheostat, using about one volt and two amperes. We give full directions in the manual, how to hitch up the motor to the various models and make them run.

Only Toy Having Free Electric Motor.—The Erector is the only building toy that **includes** an electric motor with the sets, beginning with the 3A. There are dozens of models shown in our manual which can be operated by this electric motor. (See some on pages 13, 17, 19, 21.) You can also build other models, 10 to 20 feet long, through one room to another which can be drawn backwards and forwards by the power from this little motor.

Get a Prize!

Money Prizes for New Models.—On the cover of this booklet we show you the pictures of eight boys who won real money and Mysto Erectors for sending us the best models made from the Erector. Over 1000 boys from all over the world sent in drawings and photographs of models.

Write us for our special prize letter which gives all the conditions regarding the contest.

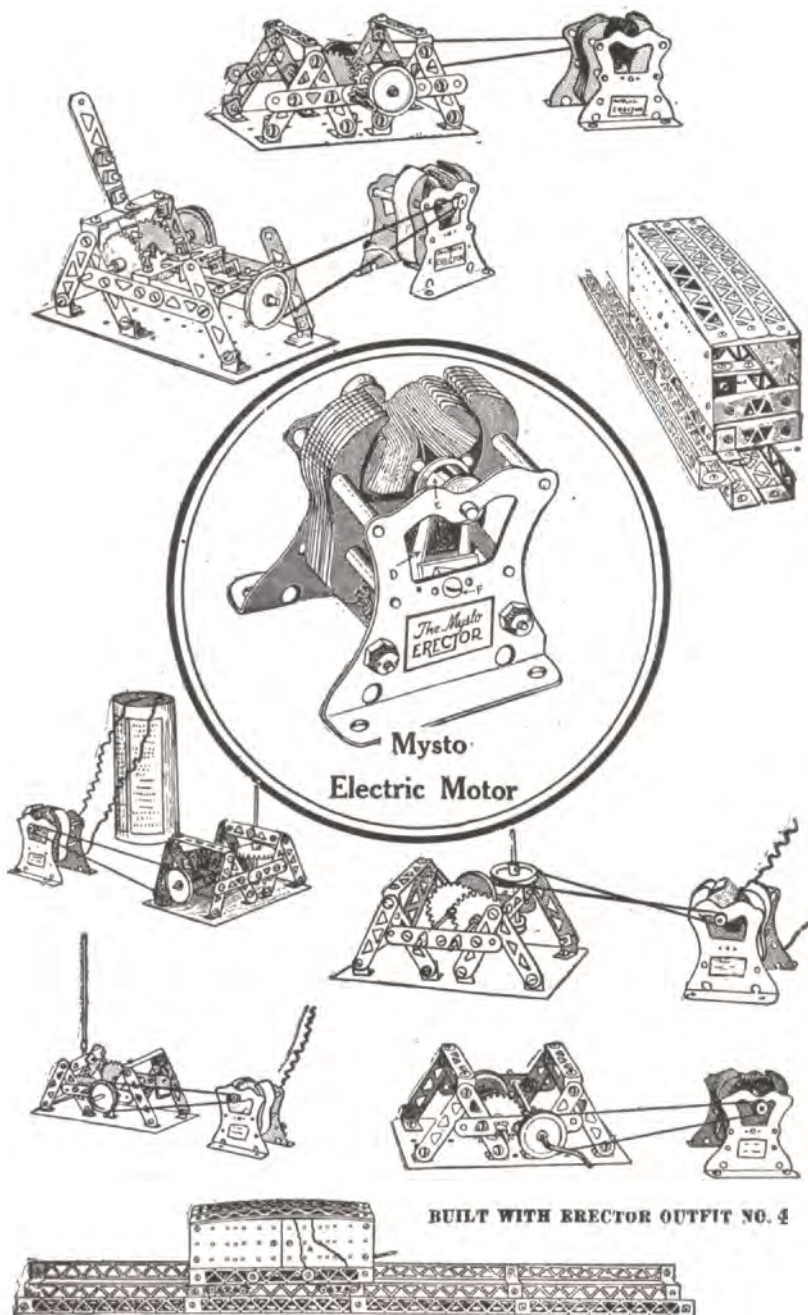
No Limit to Models You Can Build

Although we give here a list of all the models shown in our manual there is practically no limit to the number of models possible to construct.

Hello
Boys

The *Mysto*
ERECTOR

Make
lots of
Toys



Hello Boys

The Myster ERECTOR

Make lots of Toys

Outfit No. 0

You can make the following models .

- | | | |
|----------------------|----------------|--------------------|
| 1—Cross | 13—Bed | 50—Saw Buck |
| 2—Anchor | 14—Wagon | 51—Swing |
| 3—Chair | 15—Step Ladder | 52 61—Numerals |
| 4—Railroad Signal | 16—Saw | 62—Stretcher |
| 5—Wheelbarrow | 17 42—Alphabet | 63—Stone Truck |
| 6—Man | 43—Fence | 64—Horizontal Bar |
| 7—Tomahawk | 44—Sword | 65—Flat Truck |
| 8—Ladder | 45—Snow Shovel | 66—Truck |
| 9—Scissors | 46—Small Easel | 67—Railroad Signal |
| 10—Star | 47—Potato Fork | 68—Flying Dutchman |
| 11—Men Shaking Hands | 48—Music Stand | 69—6-in. Girder |
| 12—Camp Stool | 49—Tabourette | |

Outfit No. 1; or No. 0 plus 0A

Builds models made by No. 0 and these also :

- | | | |
|---------------------|--------------------|--------------------------|
| 70—Grindstone | 77—12-in. Girder | 84—Mortar Cannon |
| 71—Factory Truck | 78—Easy Glider | 85—Windmill |
| 72—Arbor Table | 79—Express Truck | 86—Mortar Cannon |
| 73—Counter Shafting | 80—Row Boat | 87—Wagon |
| 74—Teeter Totter | 81—Coat Hanger | 88—Small Revolving Crane |
| 75—Picture Frame | 82—Emergency Truck | |
| 76—Round Table | 83—Semaphore | |

Outfit No. 2; or No. 1 plus 1A

Builds all preceding models and these also

- | | | |
|----------------------------|------------------------------|-----------------------|
| 89—Old Fashion Pung | 100—Lumber Wagon | 111—Hall Seat |
| 90—Baggage Truck | 101—Lumber Wagon | 112—Road Scraper |
| 91—Market Basket | 102—Wheeled Chair | 113—Field Cannon |
| 92—Table | 103—Fruit Basket | 114—Sulky & Driver |
| 93—Railroad Truck | 104—Water Motor | 115—Breaking Cart |
| 94—Platform Truck | 105—Hand Car | 116—Modern Bicycle |
| 95—Monoplane | 106—Skate | 117—Irish Mail |
| 96—One Horse Dump Wagon | 107—Invalid Chair | 118—Girl's Tricycle |
| 97—Stationary Boom Derrick | 108—Velocipede | 119—Old Style Bicycle |
| 98—Veranda Swing | 109—Endless Rope Railway | 120—Pulpit Chair |
| 99—Push Cart | 110—Overhead Traveling Crane | |

Outfit No. 3; or No. 2 plus 2A

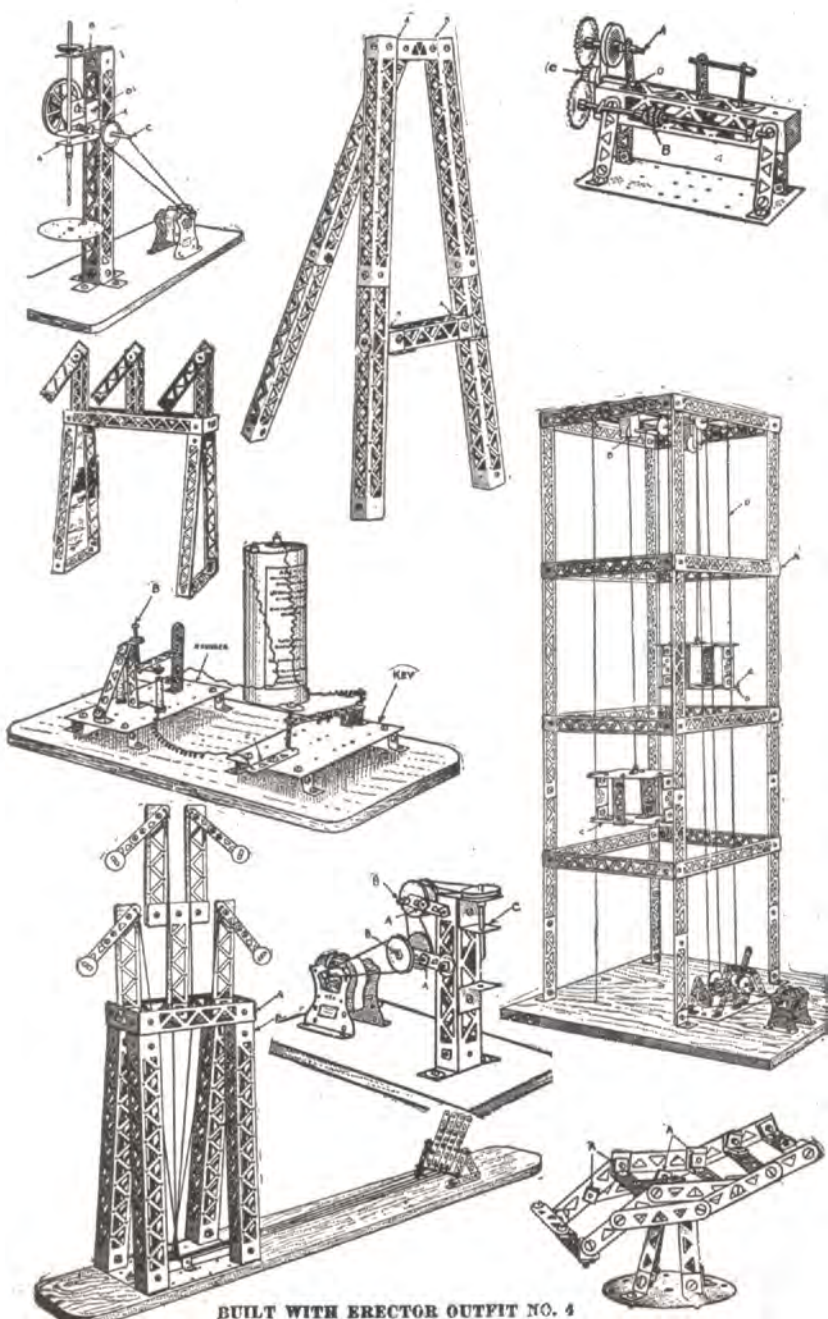
Builds all preceding models and these also :

- | | | |
|-------------------------------------|-------------------------|------------------------------------|
| 121—Rake | 140—Step Ladder | 160—Stationary Boom Steam Shovel |
| 122—Wheelbarrow | 141—Stairway | 161—Buckboard |
| 123—Bicycle | 142—Vault Door | 162—Never Tip Baby Cart |
| 124—Tabourette | 143—Dump Cart | 163—Farm Wagon |
| 125—Lawn Swing | 144—Weather Vane | 165—Apothecary's Balance |
| 126—Bench | 145—Gun | 166—Clothes Wringer |
| 127—Clothes Dryer | 146—Candle Shade | 167—Swing |
| 128—Radial Drill Press | 147—Child's Desk | 168—Right Angle Drive Gear Box |
| 129—Amusement Slide | 148—Chair | 169—Pile Driver |
| 130—Windmill | 149—Telepher Conveyor | 170—Drum Gear Box |
| 131—Single Girder Bridge, 3 ft. | 150—Bed | 171—Box Truck |
| 132—Barrel Truck | 151—Beach Wagon | 172—Low Speed Gear Box |
| 133—Chair | 152—Portable Crane | 173—High Speed Gear Box |
| 134—Fancy Table | 153—Tower Clock | 174—Reversing Gear Box |
| 135—Portable Boom Revolving Derrick | 154—Hay Wagon | 175—Vertical Worm Drive Gear Box |
| 136—Portable Step Ladder | 155—Ice Boat | 176—Horizontal Worm Drive Gear Box |
| 137—Carpenter's Bench | 156—Sled | |
| 138—2 Ft. Girder Bridge | 157—Stationary Derrick | |
| 139—Flag Pole | 158—Church Pew | |
| | 159—Single Car Elevator | |

Hello
Boys

The *Mysto*
ERECTOR

Make
lots of
Toys



BUILT WITH ERECTOR OUTFIT NO. 4

Hello Boys

The *Mysto* **ERECTOR**

Make lots of Toys

Outfit No. 4; or No. 3 plus 3A

Builds all preceding models and these also:

- | | | |
|--|--|---|
| 177—Motor | 188—High Speed Gear Box—
Motor Driven | 199—Line of Telegraph Poles |
| 178—Police Patrol | 189—Lathe | 200—Lawn Seat |
| 179—Low Speed Gear Box—
Motor Driven | 190—Reversing Gear Box—
Motor Driven | 201—Torpedo Boat |
| 180—Barber's Chair | 191—Vertical Worm Drive
Gear Box—Motor Driven | 202—4 ft. Single Girder Ele-
vator Tower |
| 181—Lamp Shade | 192—Buzz Saw | 203—Drill Press—Motor Driven |
| 182—Small Fancy Bridge | 193—Triple Semaphore | 204—Table with Drawer |
| 183—Summer House | 194—Motor Car | 205—Four Arm Railroad Sig-
nal Tower |
| 184—Drum Gear Box—Motor
Driven | 195—Radial Drill Press | 206—Telegraph Instrument |
| 185—Sedan Chair | 196—Revolving Bridge | 207—Large Easel |
| 186—Sleigh | 197—Trolley Repair Wagon | |
| 187—Horizontal Worm Right
Angle Drive Gear Box—
Motor Driven | 198—Right Angle Drive Gear
Box—Motor Driven | |

Outfit No. 5; or No. 4 plus 4A

Builds all preceding models and these also

- | | | |
|-------------------------------------|----------------------------|-------------------------|
| 208—Sight Seeing Tower | 214—Auto Dump Wagon | 222—4 ft. Girder Bridge |
| 209A—Train of Gears | 215—Rotary Traveling Crane | 223—Grand Stand |
| 209B—Train of Gears—Motor
Driven | 216—Gas Lamp | 224—Well House |
| 210—Centrifugal Governor | 217—Tender | 225—Railroad Wrecker |
| 211—Doll's Morris Chair | 218—Bleriot Monoplane | 226—Breast Drill |
| 212—Wireless Aerial | 219—Water Wagon | 227—Limousine Auto Car |
| 213—Auto Dump Wagon | 220—Foot Bridge | 228—Water Wheel |
| | 221—Double Windmill Pump | 229—Sand Shovel |

Outfit No. 6; or No. 5 plus 5A

Builds all preceding models and these also:

- | | | |
|--|--|-------------------------------------|
| 230—Motor Car & Trailer | 243A—Turn Table Crane | 255—Motor Launch |
| 231—Battleship | 243B—Turn Table Crane | 256—High Stationary Arm
Derrick |
| 232—Single Track Railroad
Trestle | 244—Hay Stacker | 257—Barn Structure |
| 233—Sight Seeing Car | 245—6-in. Single Track Rail-
road Trestle | 258—Wright Biplane |
| 234—Windmill & Water Tower | 246—Planer | 259A—Clock |
| 235—Turn Table Steam Shovel | 247—Saw Mill | 259B—Clock |
| 236—Power Press—Motor
Driven | 248—Revolving Chair Swing | 260—Air Compressor—Motor
Driven |
| 237—Double Ripper | 249—Fire Water Tower | 261—Single Track Railroad
Bridge |
| 238—Missouri Bridge | 250A—Band Saw—Motor
Driven | 262—Locomotive |
| 239—Gantry Crane | 250B—Band Saw | 263—Caboose |
| 240—Canyon Cable Railroad | 251—Straight Back Chais | 264—Coal Car |
| 241—Air Compressor | 252—Box Kite | |
| 242—5 ft. Single Car Elevator
Tower | 253—Parlor Table | |
| | 254—Circle Swing | |

Outfit No. 7; or No. 6 plus 6A

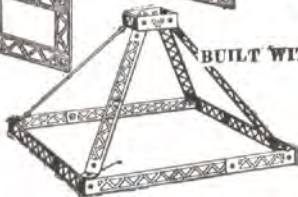
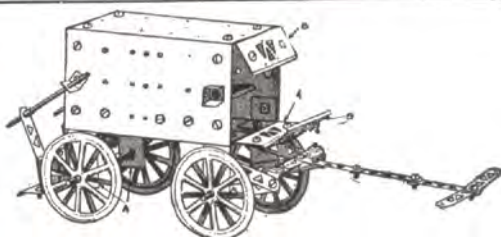
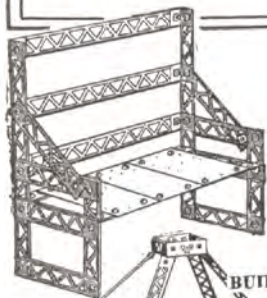
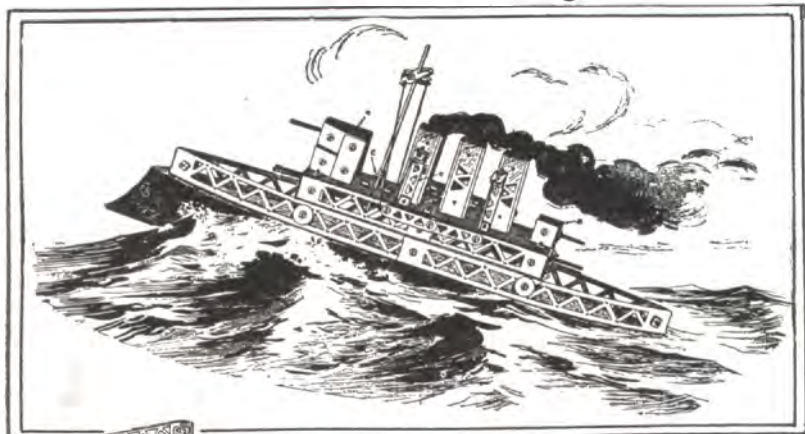
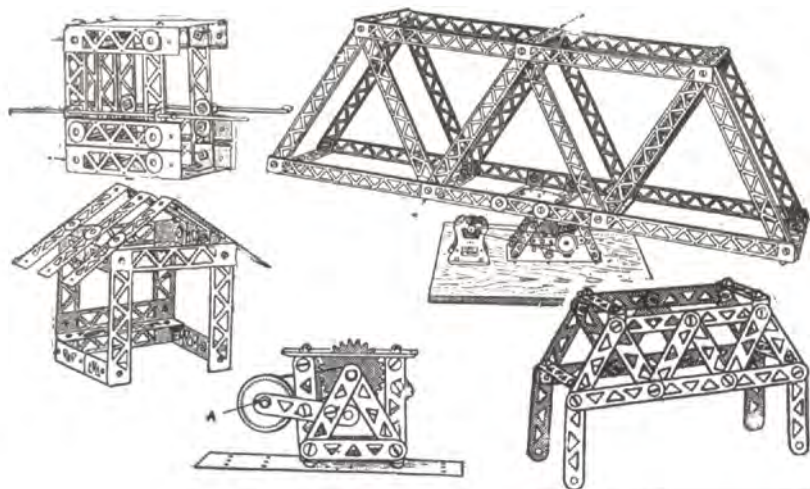
Builds all preceding models and these also:

- | | | |
|-----------------------------|--|-----------------------|
| 265—Overhead Tramway | 271—Five Section Single Girder
Elevator Tower | 274—Table |
| 266—Roller Lift Bridge | 272—Electrification Construc-
tion Work | 275—Windmill |
| 267—Single Girder Structure | 273—Sewing Machine | 276—Three Leg Derrick |
| 268—Well Drill | | 277—Inclined Railroad |
| 269—Tabourette | | 278—Merry-Go-Round |
| 270—Arch Form for Tunnel | | |

Hello
Boys

The *Mysto*
ERECTOR

Make
lots of
Toys



BUILT WITH ERECTOR OUTFIT NO. 4



**Hello
Boys**

The Mysto
ERECTOR

**Make
lots of
Toys**

Outfit No. 8; or No. 7 plus 7A

Builds all preceding models and these also:

279—Dirigible Balloon
280—Auto Truck
281—Monorail
282—Fire Engine
283—London Bridge
284—Wireless Tower on Jersey
Coast
285—Conning Tower
286—Trolley Car
287—Large House

288—Hell Gate Bridge
289—Ferry Bridge
290—Niagara Falls Bridge
291—Cape Charles Lighthouse
292—Lift Bridge
293—4 ft Square Girder Bridge
294—Victoria Bridge—Zambesi
River—South Africa
295—Morris Chair
296—Steering Gear

297—Auto Transmission
298—Machine Shop
299—Gas Tank
300—Gantry Crane—Panama
Canal
301—Ferris Wheel
302—Phonograph
303—Indo-China Bridge
304—Square Girder Elevator
Tower

A Hint to Parents

Flimsy, easily-broken toys are bought to the extent of hundreds of thousands of dollars annually. The satisfaction gained by the children lasts from three minutes to three days. Sometimes but a few hours is all that is needed to smash and destroy several dollars' worth. Our new educational idea, which is the result of a study of child psychology is developing a new angle of vision upon education. We find that the element of fun and pleasure has a wonderful effect in stimulating the inventive faculties which lie dormant in the child. Why not develop them in a sort of subconscious way, so that the child will gain a knowledge of mechanical objects, and be better prepared for the active duties of life? The Mysto Erector is so ingenious that it gives a boy the foundation for practical engineering education while at play. It develops the boy's ingenuity, teaches observation, educates as well as fascinates,—a most attractive toy for boys.

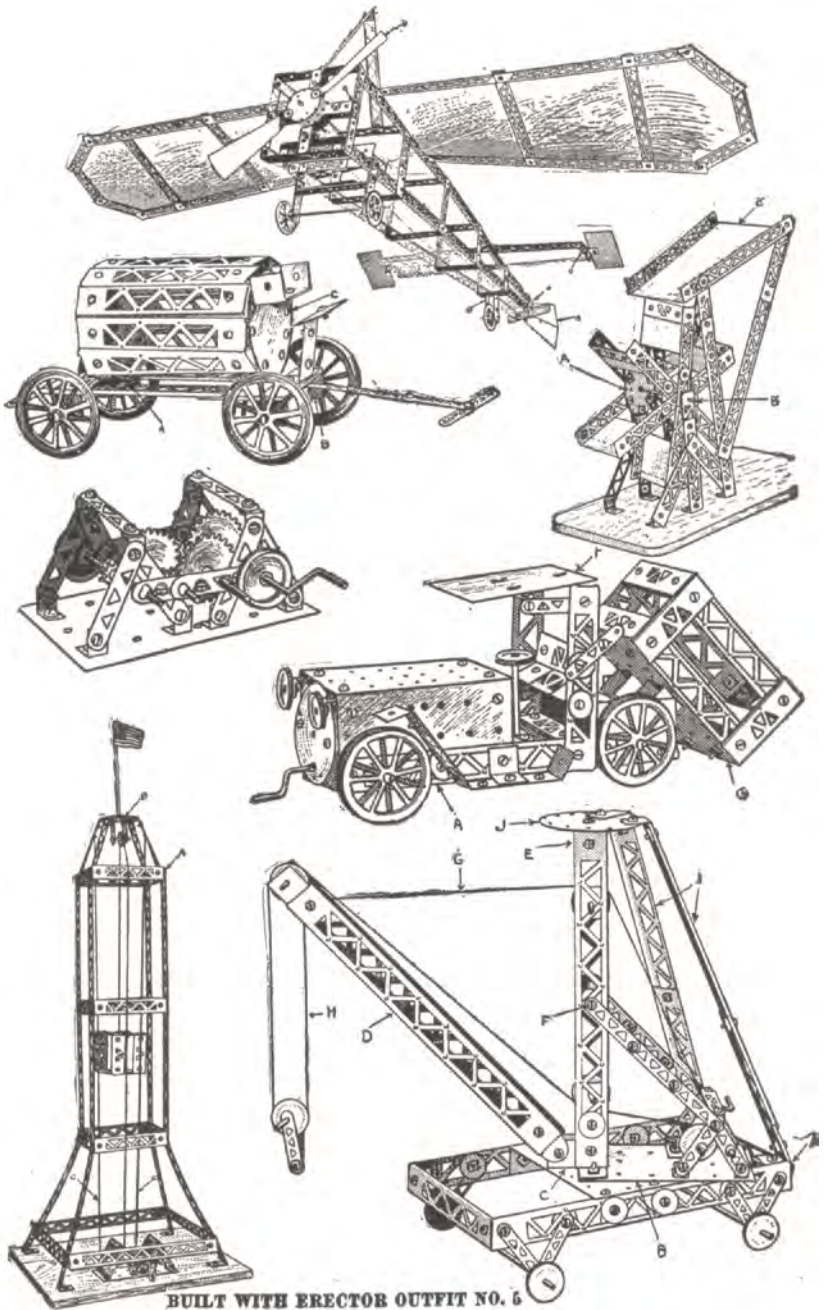
Yours for a good time,

ALFRED C. GILBERT,
President The Mysto Manufacturing Co.,
New Haven, Conn.

Hello
Boys

The *Mysto*
ERECTOR

Make
lots of
Toys



BUILT WITH ERECTOR OUTFIT NO. 6

Hello Boys



Make lots of Toys

Number of Parts and Models of Erector Sets

No.	Parts	Models	Wrapped for Parcel Post	Style of Package	U. S. Price	Canadian Price
0	98	69	2 pounds	Strong Bd. Box	.50	.70
1	140	88	3 "	" " "	1.00	1.35
2	205	120	4 "	" " "	2.00	2.70
3	345	176	7 "	" " "	3.00	4.05
4	571	207	10 "	" " "	5.00	6.75
5	679	229	12 "	" " "	7.50	10.15
6	1000	264	19 "	Oak Wood Box	10.00	13.50
7	1291	278	28 "	" " "	15.00	20.25
8	1850	304	40 "	" " "	25.00	33.75

In order to build up your Regular sets into the next number buy an Accessory set.

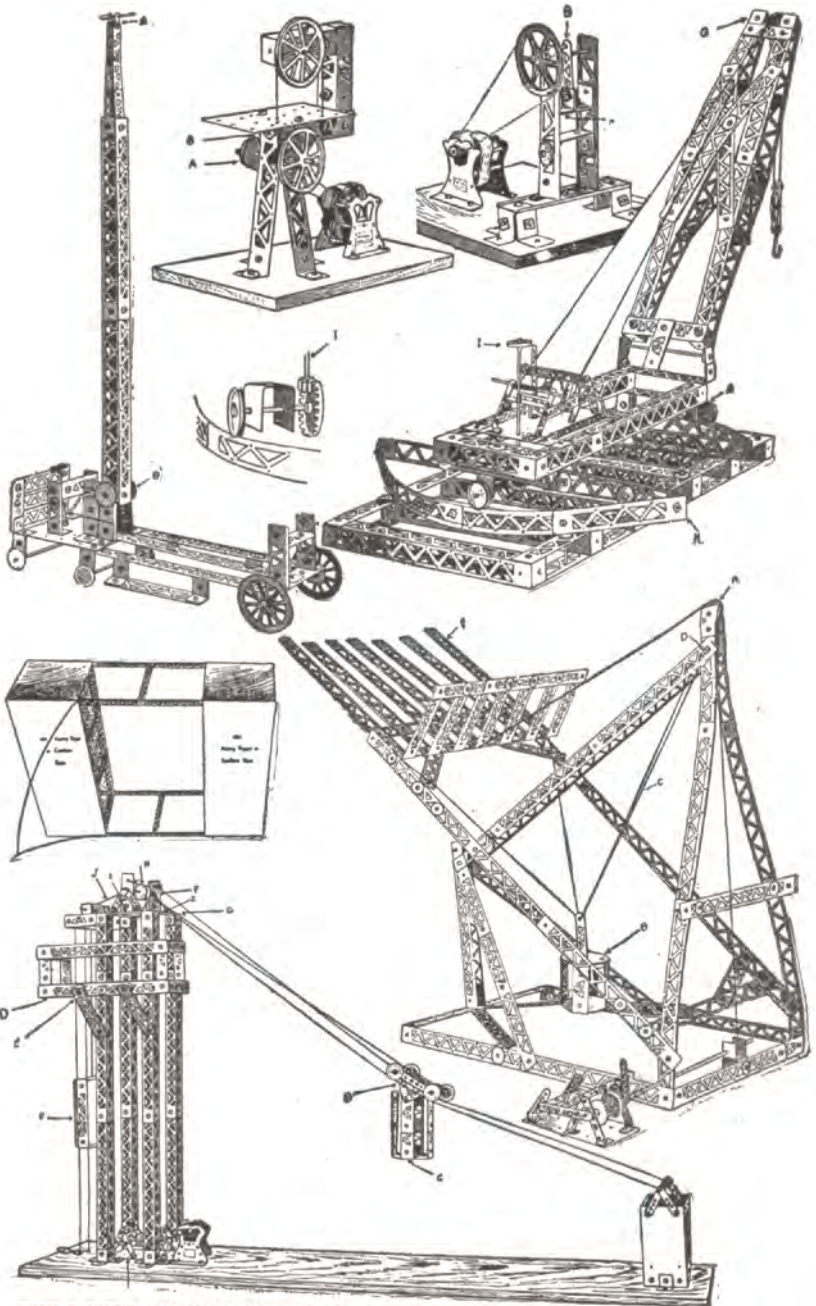
Accessory Sets

No.	Parts	Models	Wrapped for Parcel Post	Style of Package	U. S. Price	Canadian Price
0A	2	2	pounds	Strong Bd. Box	.50	.70
1A	3	3	"	" " "	1.00	1.35
2A	3	3	"	" " "	1.00	1.35
3A	5	5	"	" " "	2.00	2.70
4A	4	4	"	" " "	2.50	3.40
5A	7	7	"	" " "	2.50	3.40
6A	6	6	"	" " "	5.00	6.75
7A	10	10	"	Oak Wood "	10.00	13.50

Hello
Boys

The *Mysto*
ERECTOR

Make
lots of
Toys



BUILT WITH ERECTOR OUTFIT NO. 6

**Hello
Boys**

The Mysto
ERECTOR

**Make
lots of
Toys**

How to Get the Mysto Erector

Go to your toy dealer, take this booklet and tell him that you must have the Mysto Erector. Very likely he has it; or he will be glad to order it for you. If not, send me his name together with your remittance for the price as listed and I will see that you are promptly supplied through your toy dealer, if possible.

**I Know
You'll Have a
Dandy Good Time
With**

The Mysto
ERECTOR

Remember: If you can't buy it at your toy dealer's send me a remittance for the set you desire, together with your toy dealer's name; I'll ship the Mysto Erector direct to you.

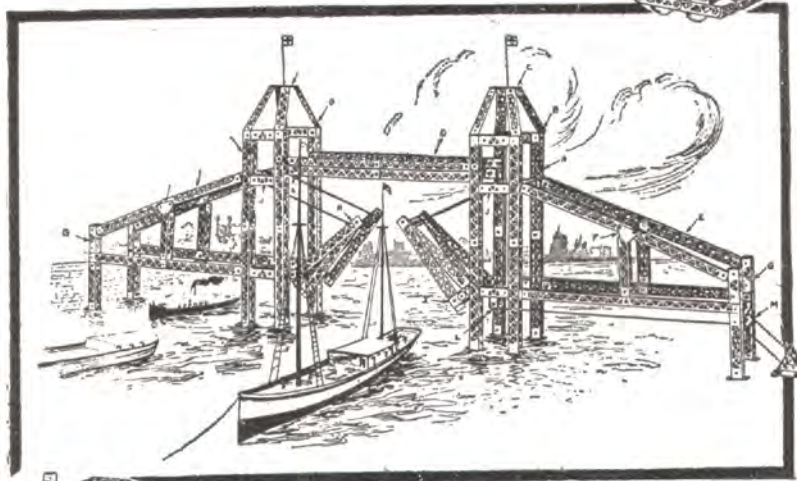
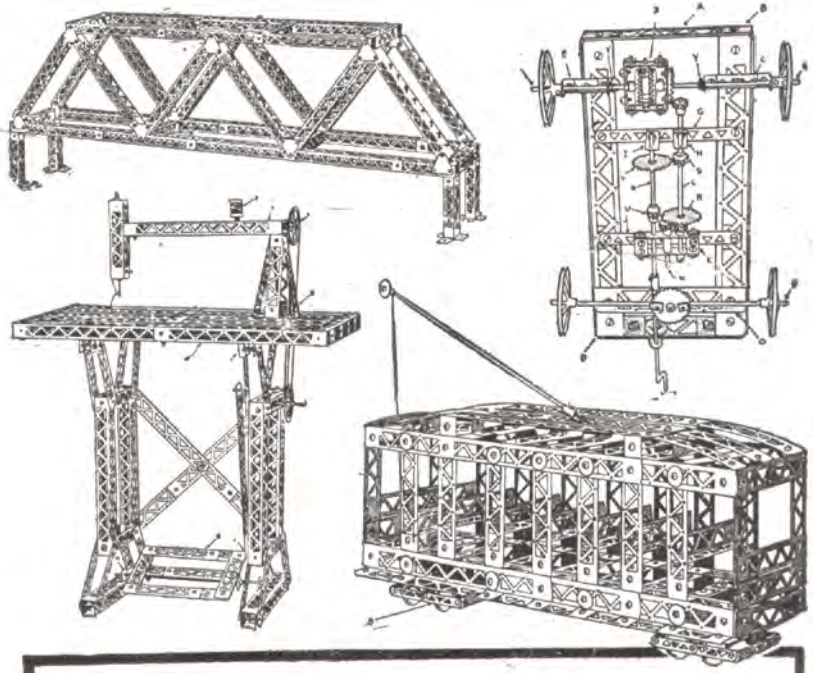
Yours for a good time,

ALFRED C. GILBERT,
President The Mysto Manufacturing Co.,
New Haven, Conn.

**Hello
Boys**

The Mysto
ERECTOR

**Make
lots of
Toys**



BUILT WITH ERECTOR OUTFIT NO. 7 AND OUTFIT NO. 8

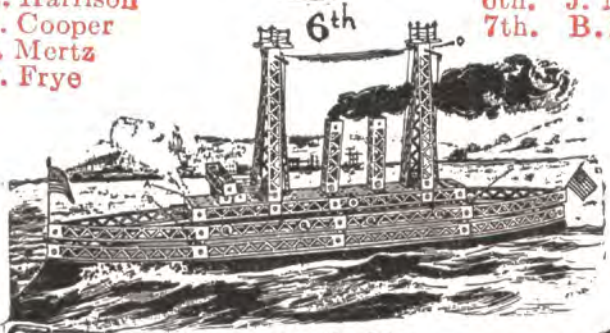
ERECTOR, 1914

PRIZE WINNERS

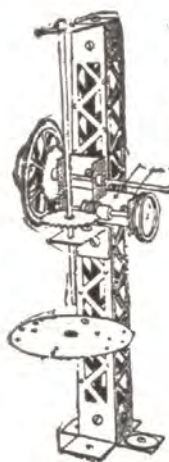


- 1st. { S. A. York
- R. Harrison
- 2nd. C. Cooper
- 3rd. F. Mertz
- 4th. C. Frye

- 5th. T. Ammann
- 6th. J. McGraw
- 7th. B. L. Schultz



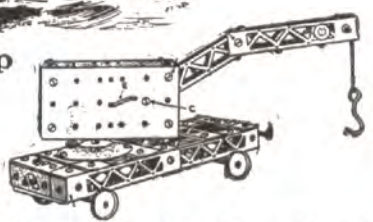
1st Prize—Battleship



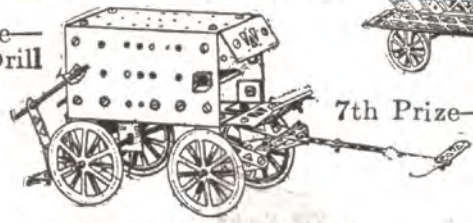
2nd Prize—Radial Drill



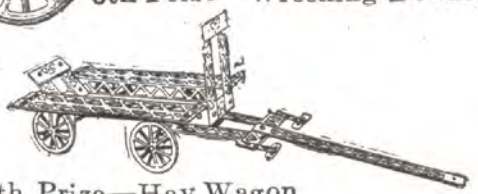
3d Prize—Bicycle



6th Prize—Wrecking Derrick



5th Prize—Police Patrol



7th Prize—Hay Wagon



4th Prize—Skate